



Easy handling & compact size
 Very best beautiful packing performance!!
 Fuji automatic wrapping machine Fuji shrink packer type No.208,208A

FUJI-PACKING CO., LTD.



©Through the joint work with the ministry of posts & telecommunication,japan,type No.208B, pack style automatic bundle machine,just now under operation for packing postal materials.

©Solved problem as to a loss & a drip of materials as per reversed illustration.

■Through the joint work with the ministry of posts & telecommunication,japan,type No.208B,pack style automatic bundle machine,just now under operation for packing postal materials.

■Solved problem as to a loss & a drip of materials as per reversed illustration.

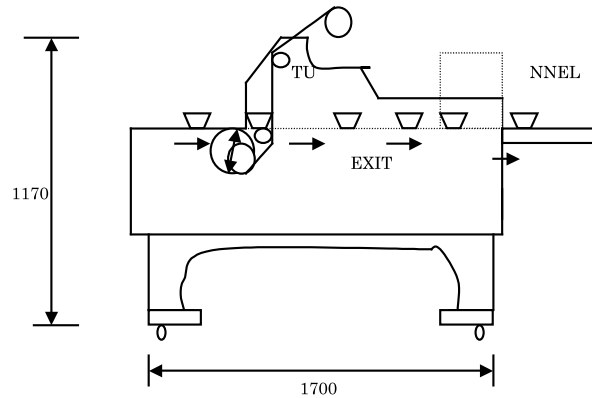
■This full shrink packer,type no.208 featured with simple operation & fantastic finish,besides,compact type ,spaceless,& easy move.
 ?A heat temperature arisen from inside tunnel device be absorbed by film not directly to merchandise.

■Compared with a stretch style of wrapping,finish is very lustre,and excellent.

Features:

- Tray size changeable by one touch button.
- Labeling machine connectable.
- Film consumption economical.Old pack style present pack style.
- Drip problem solved.Stretch style shrink style.

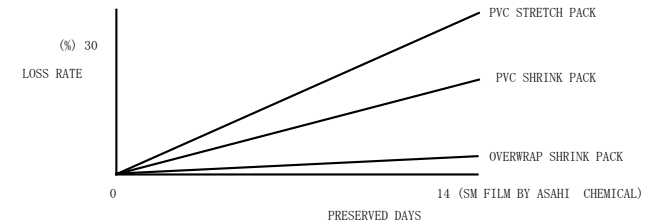
MAIN DIMENSION ILLUSTRATION (208, 208A)



MERCHANDISE LOSS TABLE
 (ACCORDING TO RESEARCH BY R&D ROOM AT A BIG PROCESS FOOD MAKER IN TOKYO)

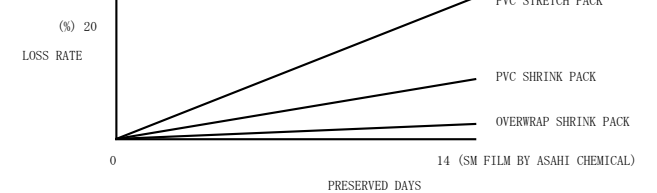
PICKLES (SHIBTUBE) PRESERVATION TEST

CONDITION: TEMP. 25°C, RH. 50 %



DAILY PROCESS FOOD (KAKUGIRIKONBU[SEAWEED]) PRESERVATION TEST

CONDITION: TEMP. 25°C, RH. 50 %



FITTABLE FOR:
 MEAT, SALTED FISH, DAILY PROCESS FOOD
 (GYOUZA, SYUUMAI, TUKUDANI),
 PICKLES, JAPANESE CAKE, RICE BALL, SUSHI, & OTHERS.

SPECIFICATION: MODEL NO.208

Packing Capacity: 20 Packs/Min.
 Packing Dimension: 70(H) × 120~250(L) × 80~170(W) (mm)
 Film Size: 250~400(W)mm × 1000mm(L), 13µm(T)
 Electric Power: Φ3,200V 2.6KW (Standard)
 (Φ2, 380V /Viet Nam Use)
 Outer Dimension Of Machine: 1700(L) × 650(W) × 1170(H) (mm)
 Weight: 180Kg

SPECIFICATION: MODEL NO.208A

Packing Capacity: 20 Packs/Min.
 Packing Dimension: 70(H) × 120~250(L) × 80~210(W) (mm)
 Film Size: 250~400(W)mm × 1000mm(L), 13µm(T)
 Electric Power: Φ3,200V 2.6KW (Standard)
 (Φ2, 380V /Viet Nam Use)
 Outer Dimension Of Machine: 1700(L) × 750(W) × 1170(H) (mm)
 Weight: 180Kg

NO.308 HIGASHI MONZEN MINUMA WARD,SAITAMA CITY, SAITAMA PREF., JAPAN
 TEL.81-48-686-3381
 FAX.81-48-686-3382
 URL: <http://www.fuji-packing.com/>
 E-mail: info@fuji-packing.com